

DMD25 Metal Detector

Precise • Reliable • Easy to Operate

Description

The Tectron® DMD25 is engineered to be the most sensitive metal detector on the market for installation on conveyor belts carrying coal, minerals, aggregates, and other bulk materials. The DMD25 can be tuned to ignore conductive ores such as gold, copper or zinc while still detecting small pieces of tramp metal.

The DMD25 is available in nearly any belt width, and is factory customized to fit your conveyor, and can be supplied as a flat-pack under-belt style detector. The modular design makes the The DMD25 easy to install without the use of special tools, or the need to cut the belt, while the field replaceable electronics are easy to operate and maintain. With thousands of units installed worldwide, the DMD25 has proven to be reliable and durable.

Typical Applications

- **Aggregate: Protects Impact Crushers**
- **Asphalt: Protects Impact Crushers**
- **Mining: Protects Impact Crushers**
- **Wood Chip: Protects Hogs and Impact Crushers**
- **Waste Wood: Protects Hogs and Impact Crushers**



国内联系方式: www.pulusai.com 邮箱: BPI_BULK@263.NET 电话: 13910218639
www.tectron.net • Toll-free: 1-866-TECTRON (1.866.832.8766)



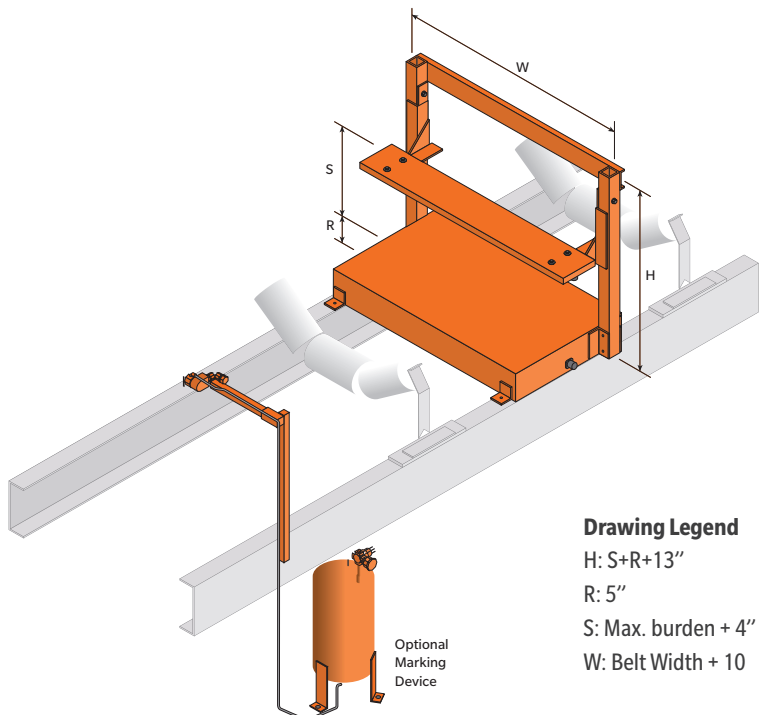
DMD25 Metal Detector

Precise • Reliable • Easy to Operate

Features and Benefits

- **Field Replaceable, Microprocessor Based Controls:** Simple to service and maintain with interchangeable boards
- **32 digit VF Display with Bar Graph for Metal Signal Indication:** Easy to read and operate
- **Self Test Circuit with Fault Alarm Indication:** Simplifies troubleshooting by automatically diagnosing problem
- **Function, Metal and Fault Indication LEDs:** Ensures you always know the status of your metal detector
- **EEPROM Stored System Parameters:** System settings can be swapped between boards, no need to re-program
- **Password Protection:** Prevents unauthorized access to key settings and functions
- **Adjustable Frequency:** Frequency adjustment can eliminate airborne interference from motors, CB radios, and other external sources
- **Rugged Fiberglass Reinforced Plastic Frame and Antennas:** Able to withstand the harshest environments
- **Three year warranty:** Ensures long life of reliable service
- **Swing away Transmitter Antenna with optional roughing guard:** Reduces the likelihood of damage from large lumps and over-burdens
- **“Event” logbook and time stamp:** Tracks metal detector performance

Specifications	Values
Sensitivity	2.5% of Aperture height
Electronics	Field replaceable Microprocessor based
Enclosure	NEMA 4 (IP65) standard (NEMA 4X, 7, 9 available)
Interconnecting Cable	15 feet (4.6m) standard
Construction	Fiberglass Reinforced Plastic frame with reinforced fiberglass antennas.
Input Voltage	110/220 VAC, 1ph, 50/60Hz
Power Required	No Output Load – 35 Watts Max. Output Load – 990 Watts
Outputs	Direct Output (Metal Detect) – Dry Contact (SPDT) Rated 250VAC, 5A Timed Output (Metal Detect) – Dry Contact (SPDT) Rated 250VAC, 5A Fault Output – Dry Contact (SPDT) Rated 250VAC, 5A
Operating Temperature	-40° to 149°F (-40° to +65°C) (Extended temperature ranges available on request)



Drawing Legend
H: S+R+13"
R: 5"
S: Max. burden + 4"
W: Belt Width + 10

Why Tectron Engineering?

Keeping production up and running is essential to your operation. Equipment damage caused by tramp metal not only costs you time and money in replacing damaged equipment, but most importantly it costs you production time. Tectron Metal Detectors are designed to protect expensive crushers, grinders, saws and other downstream equipment from metallic contaminants while minimizing false trips. Tectron offers a wide variety of detectors and sensitivities to choose from so you can be sure that you're getting the right detector for the application, all with a 3 year warranty. Manufacturing the most reliable metal detectors for bulk material handling is all we do, and with over 40 years experience, you can rely on the most trusted name in the industry. **For more information about Metal Detectors, and other Tectron Solutions, visit www.tectron.net.**

国内办事处: www.pulusai.com 邮箱: BPI_BULK@263.NET 电话: 13910218639
www.tectron.net • Toll-free: 1-866-TECTRON (1.866.832.8766)

